



SUBMITTAL

CUSTOM VERTICAL SERIES

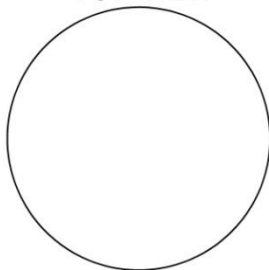
CUSTOM VERTICAL TANKS

Submittal Sheet No. CV-2016A

Date: 12/20

Job Name _____	Submitted By _____	Date _____
Location _____	Approved By _____	Date _____
_____	Order No. _____	Date _____
Engineer _____	Notes _____	
Contractor _____	_____	
Sales Rep. _____	_____	

TOP VIEW



Construction

- ASME
- Non-ASME

- Carbon Steel
- Stainless Steel
 - Grade 304
 - Grade 316

Dimensions

Diameter: _____
 Height: _____

Or

Capacity: _____ Gallons
 Size Limitations
 Width: _____
 Height: _____
 Length: _____

Minimum Design Temperature _____
 Maximum Design Temperature _____
 Working Pressure _____

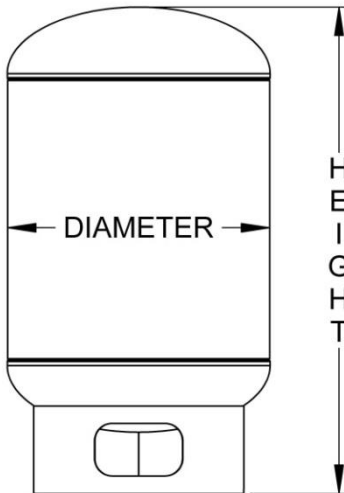
Openings & Connections

- NPT
 Qty. _____ Size _____
 Qty. _____ Size _____
 Qty. _____ Size _____
- Flange
 Qty. _____ Size _____
 Qty. _____ Size _____
- Grooved
 Qty. _____ Size _____
 Qty. _____ Size _____
 Qty. _____ Size _____
- Manway
 Qty. _____ Size _____
- Other
 Qty: _____ Size _____

Tank Supports

- Angle Legs
- Base Ring w/ Opening
 - Hold Down Clips
 Qty: _____
- Base Ring w/out Opening
 - Hold Down Clips
 Qty: _____

FRONT VIEW



Finish & Linings

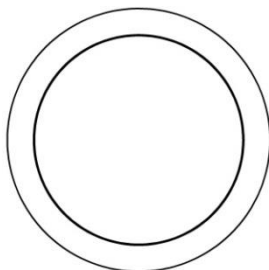
Interior

- None
- Epoxy lined
- Glass lined
- Cement lined
- Galvanized
- Rubber lined
- _____

Exterior

- None
- Standard Primer
- Epoxy
- Galvanized
- Polyurethane
 Color _____
- Insulation
- _____

BOTTOM VIEW



Other Notes _____